

1. Panel Start

Panel Potentiometer Speed Control

POTENTIOMETER

Clockwise to increase frequency

Counterclockwise to decrease frequency

RUN Run Key

STOP

Stop/Reset Key



2. Panel Forward/Reverse Run Panel Potentiometer Speed Control

Parameter Settings : Set F0-19 to 2

POTENTIOMETER

Clockwise to increase frequency Counterclockwise to decrease frequency

REV/JOG

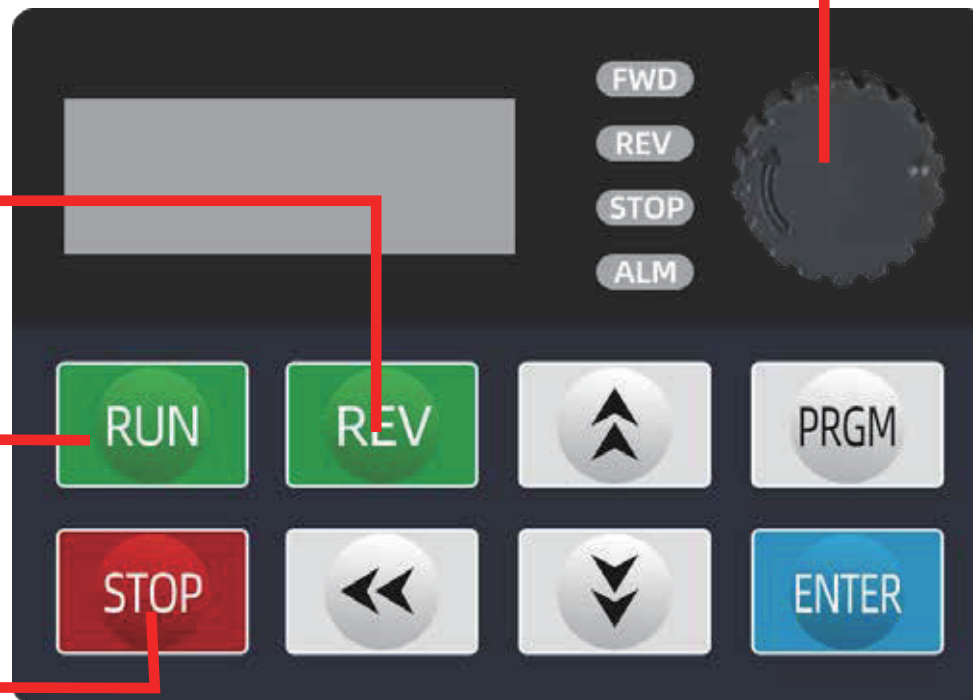
Reverse Run

RUN

Forward Run

STOP

Stop/Reset Key



3. Panel Start Speed Control with Up & Down Keys (with speed setting saved)

Parameter Settings : Set F0-01 to 0



4. External Terminal Forward Run Panel Potentiometer Speed Control

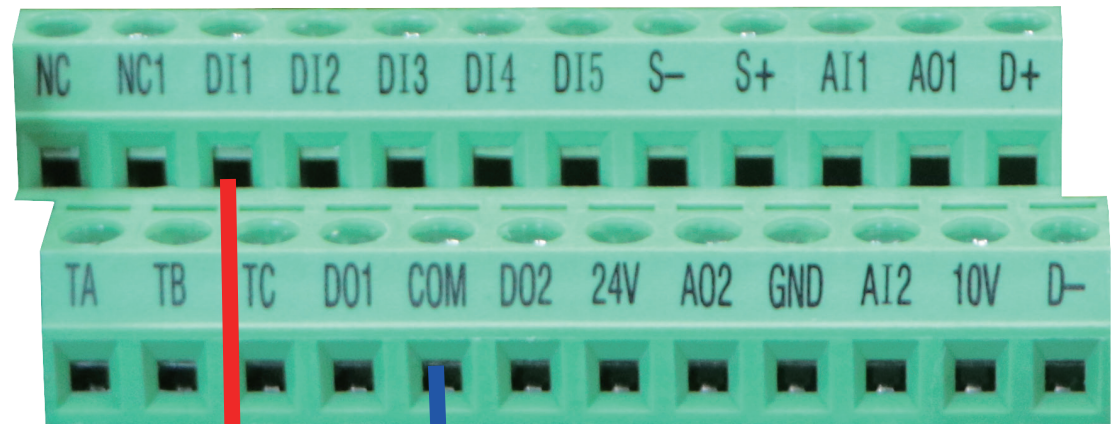
**Parameter Settings: Set F0-00 to 1
Set F0-01 to 1**



POTENTIOMETER

Clockwise to increase frequency

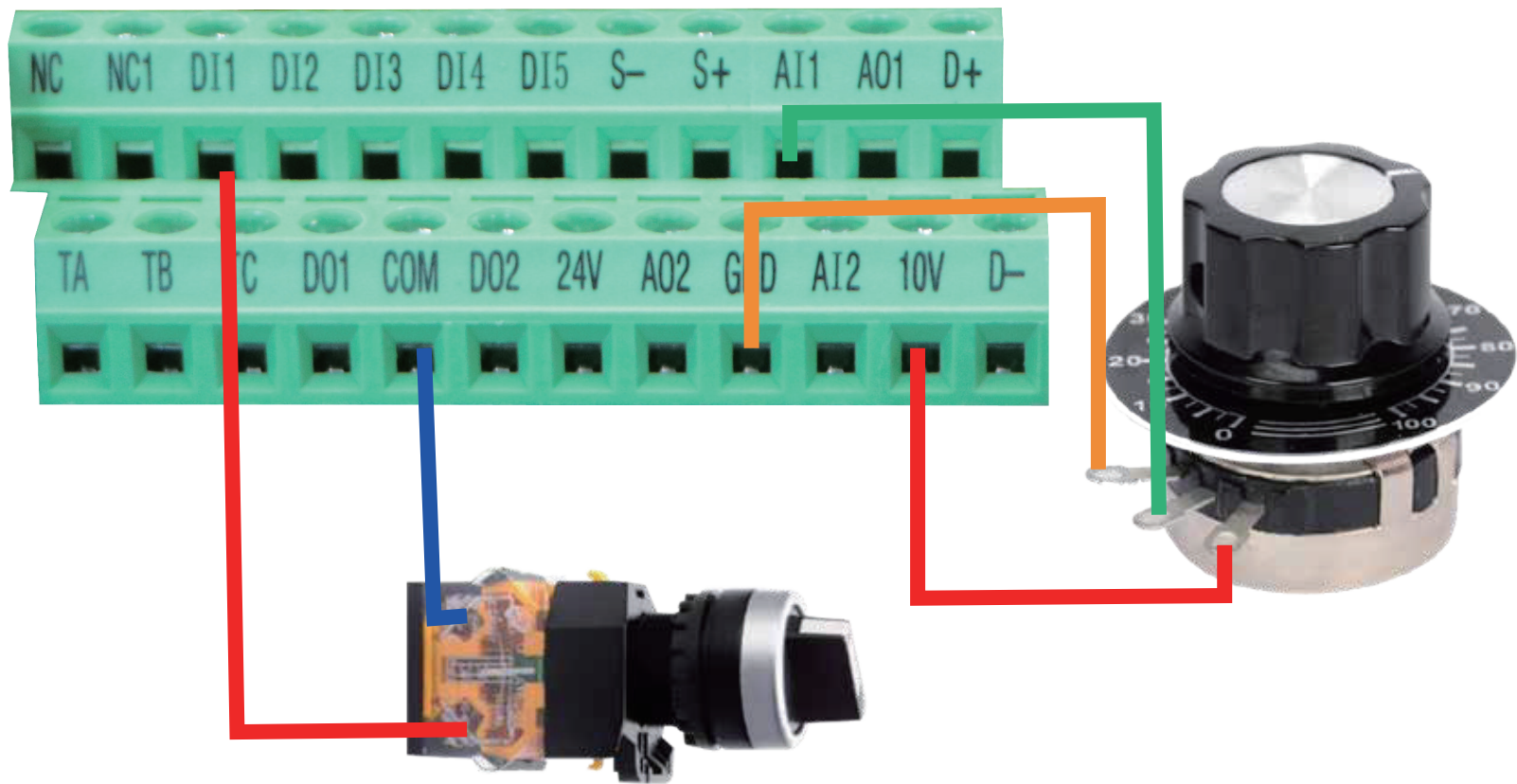
Counterclockwise to decrease frequency



(Double-pole switch)

5. External Terminal Forward Run External Potentiometer Speed Control

Parameter Settings: Set F0-00 to 1
Set F0-01 to 2



(Double-pole switch)

6. External Terminal Forward/Reverse Run Panel Potentiometer Speed Control

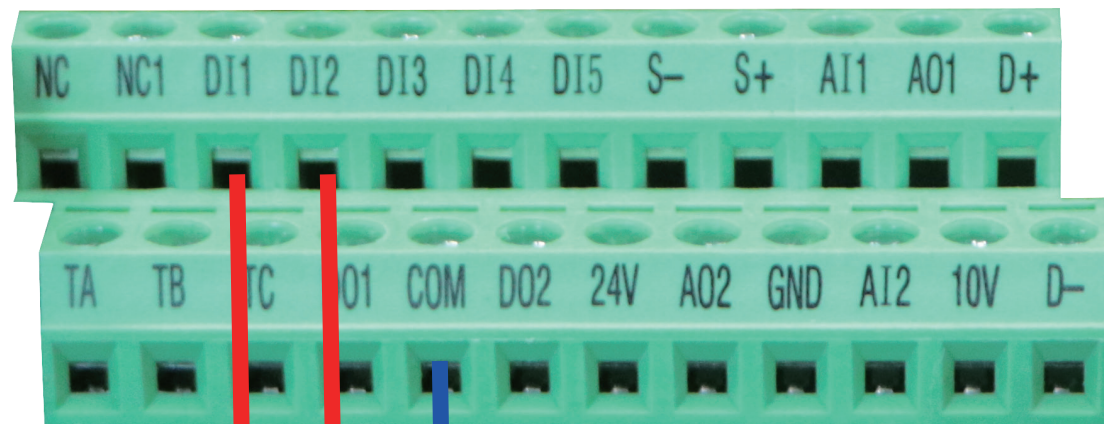
Parameter Settings: Set F0-00 to 1



POTENTIOMETER

Clockwise to increase frequency

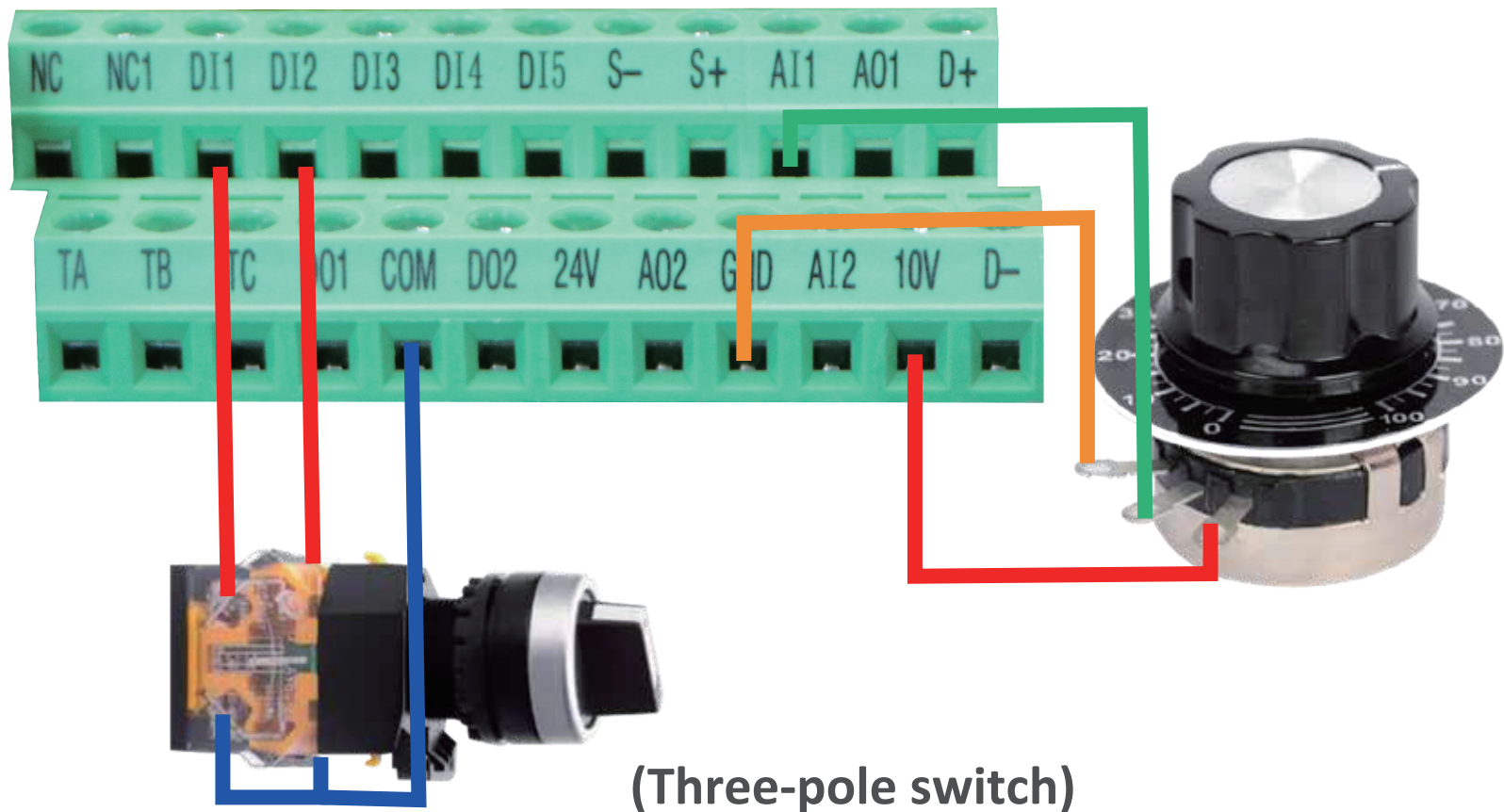
Counterclockwise to decrease frequency



(Three-pole switch)

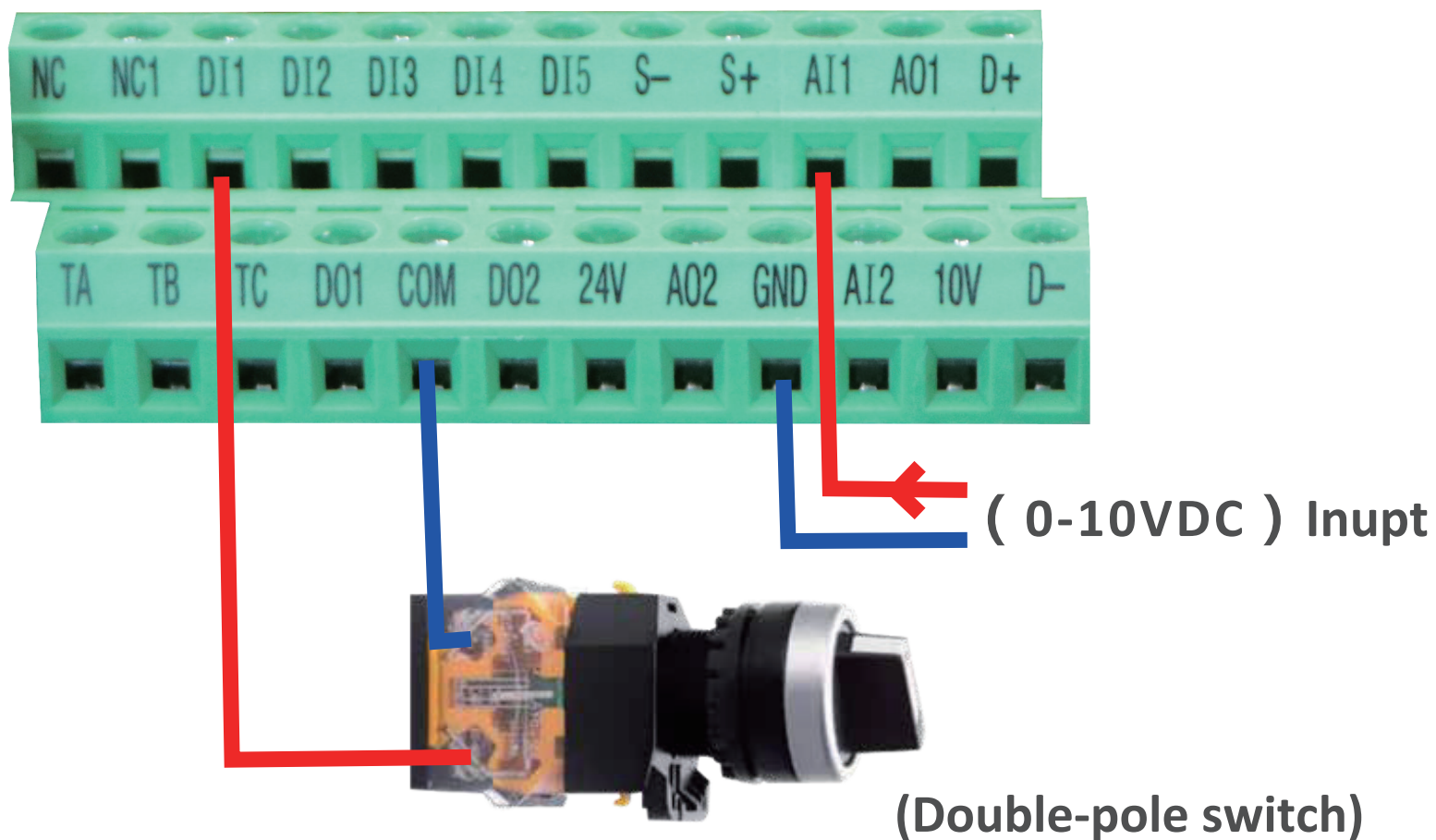
7. External Terminal Forward/Reverse Run External Potentiometer Speed Control

**Parameter Settings: Set F0-00 to 1
Set F0-01 to 2**



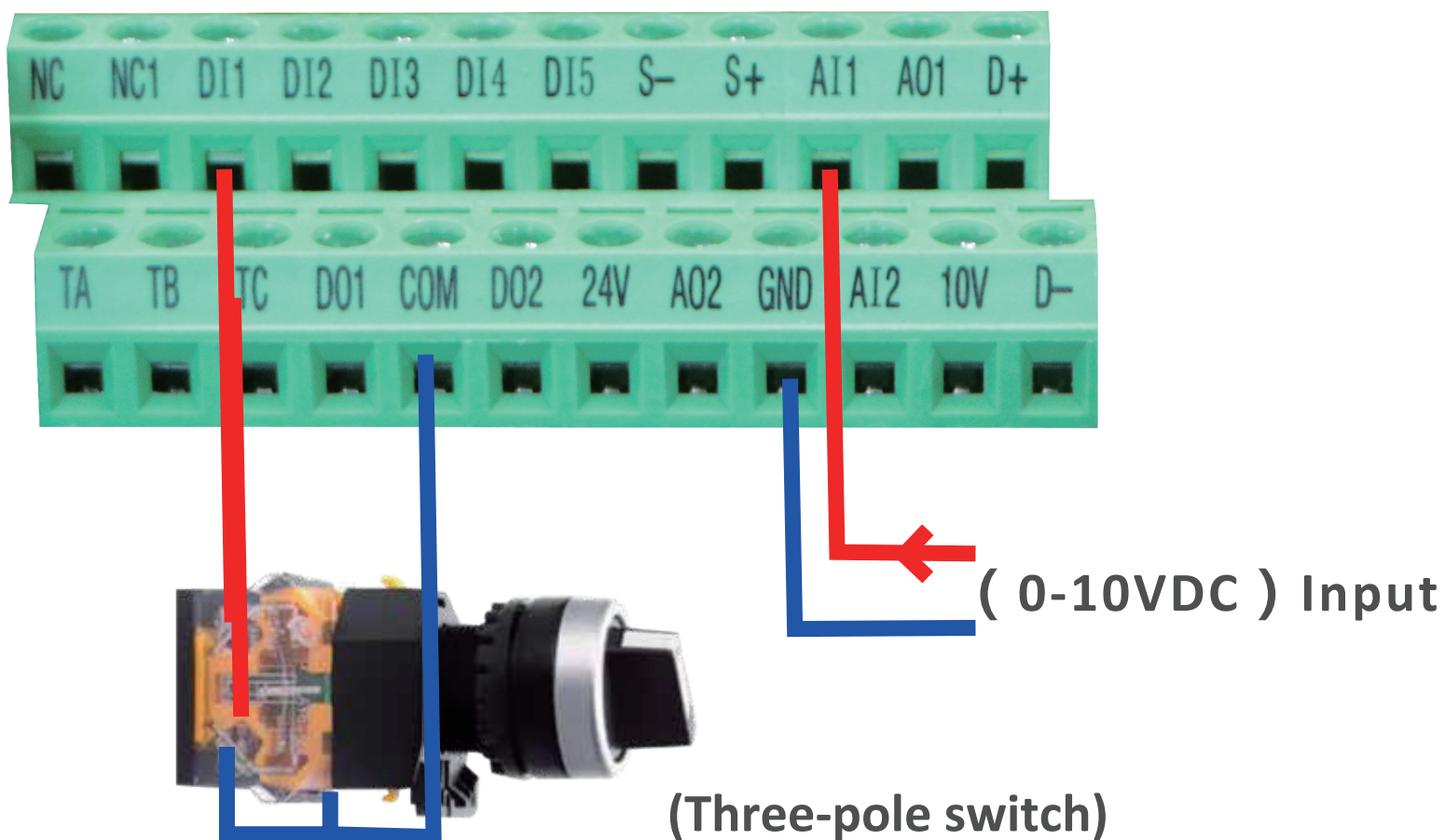
8. External Terminal Forward Run External Analog Voltage Signal (0-10V) Speed Control

**Parameter Settings: Set F0-00 to 1
Set F0-01 to 2**



9. External Terminals Forward/Reverse Run External Analog Voltage Signal (0-10V) Speed Control

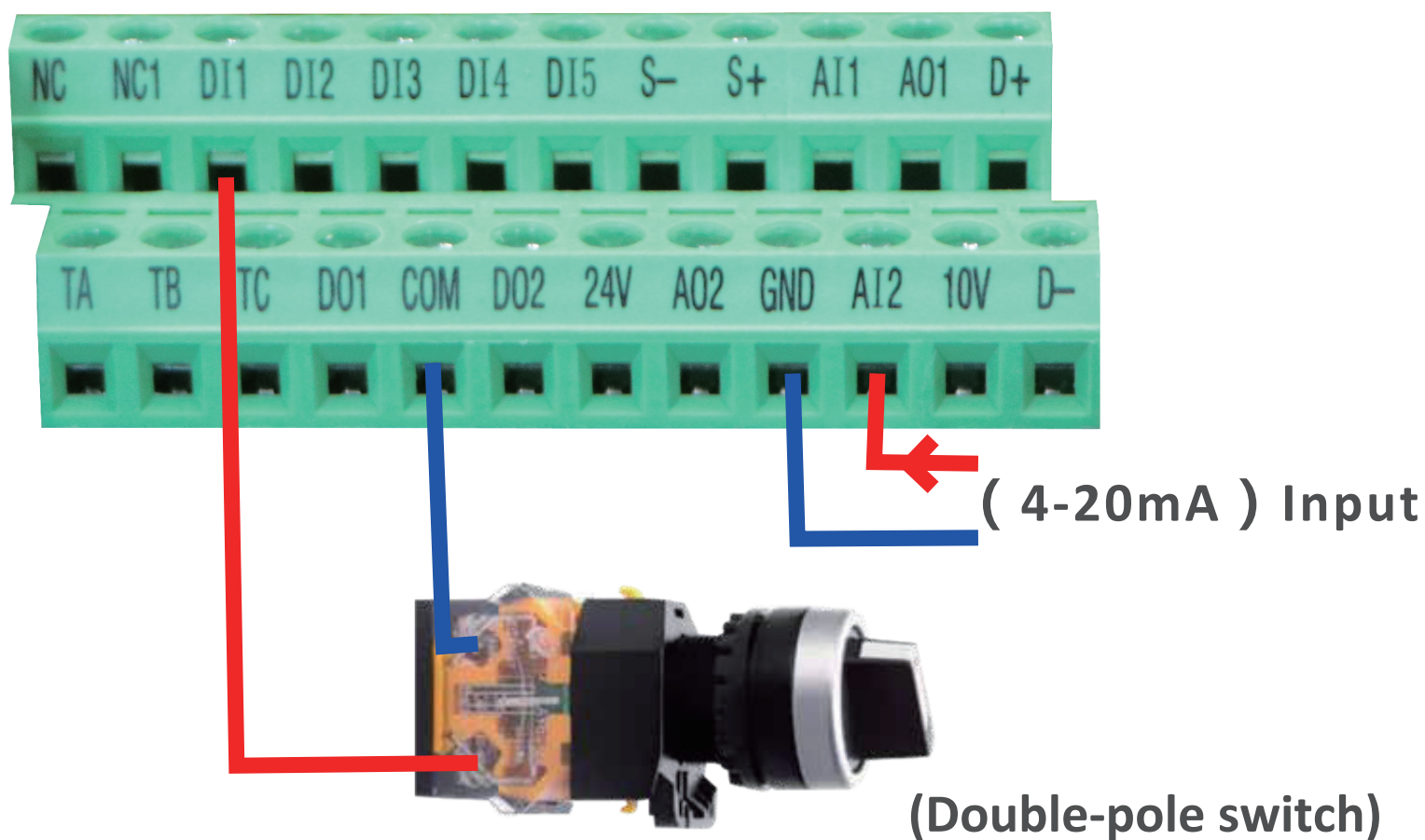
Parameter Settings: Set F0-00 to 1
Set F0-01 to 2



10. External Terminal Forward Run

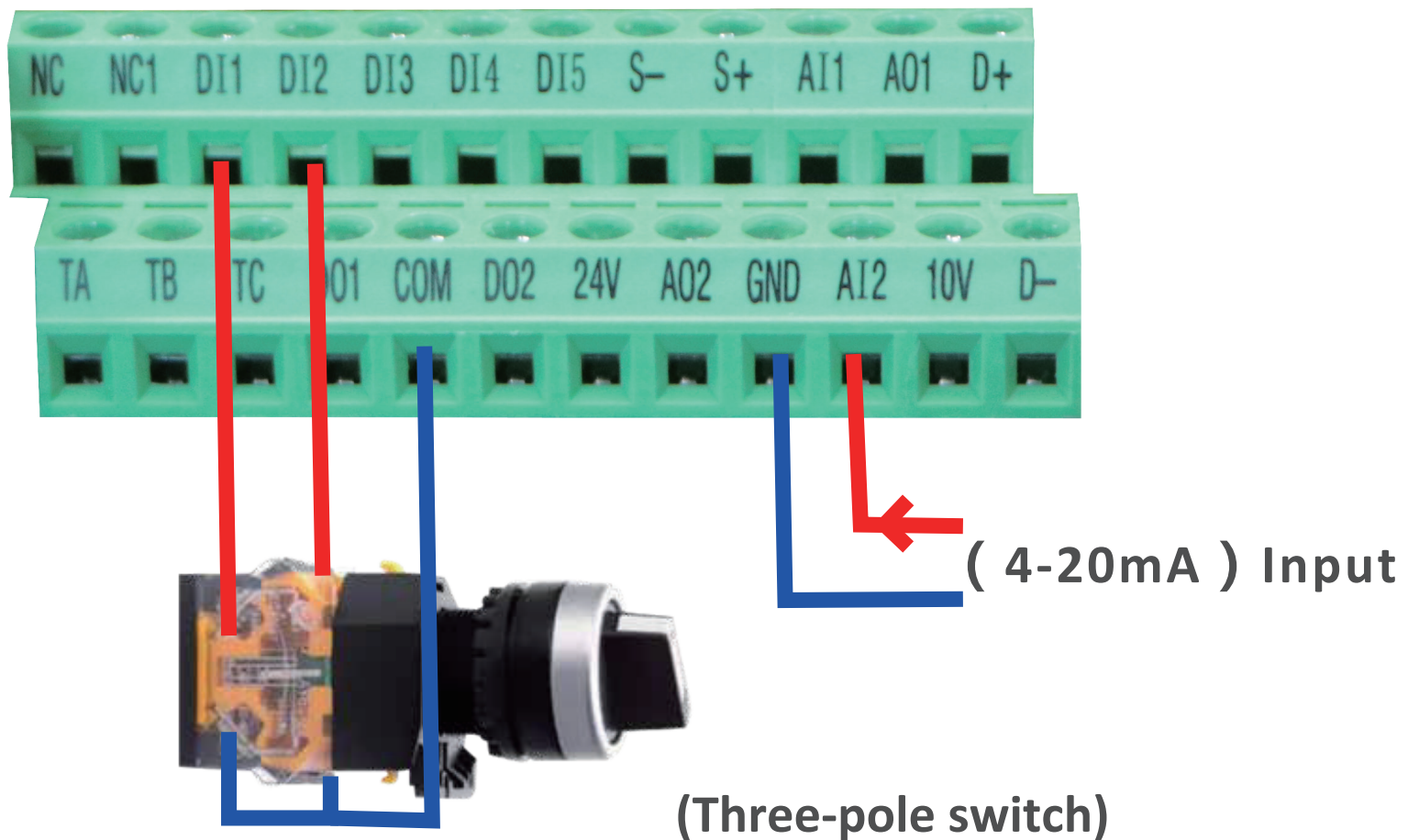
External Analog Current Signal (4-20 mA)
Speed Control

Parameter Settings: Set F0-00 to 1
Set F0-01 to 3
Set F0-07 to 0002



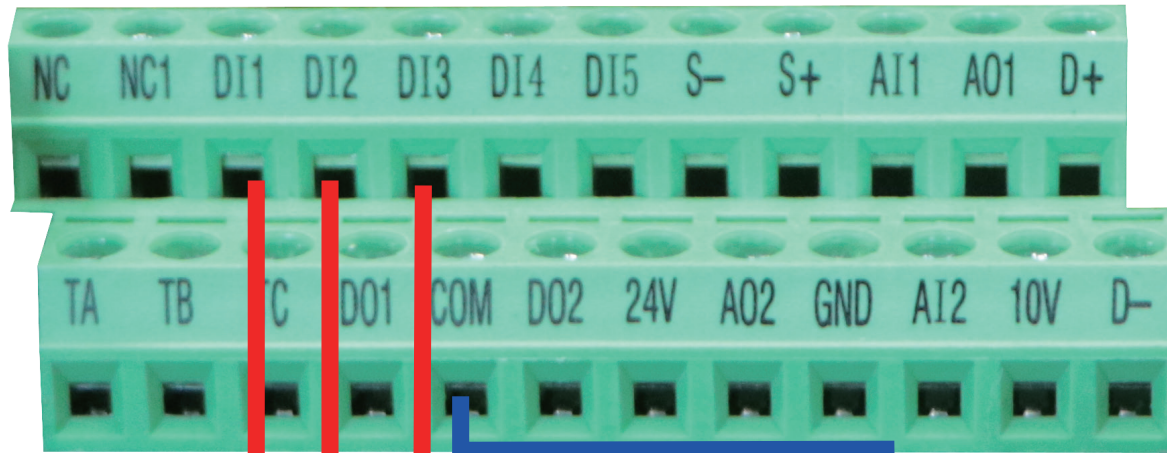
11. External Terminal Forward/Reverse Run External Analog Current Signal (4-20 mA) Speed Control

**Parameter Settings: Set F0-00 to 1
Set F0-01 to 3
Set F0-07 to 00002**



12. External Terminal Start Three-wire Control Mode 1

Parameter Settings: Set F0-00 to 1
Set F1-02 to 03
Set F1-06 to 2



Forward

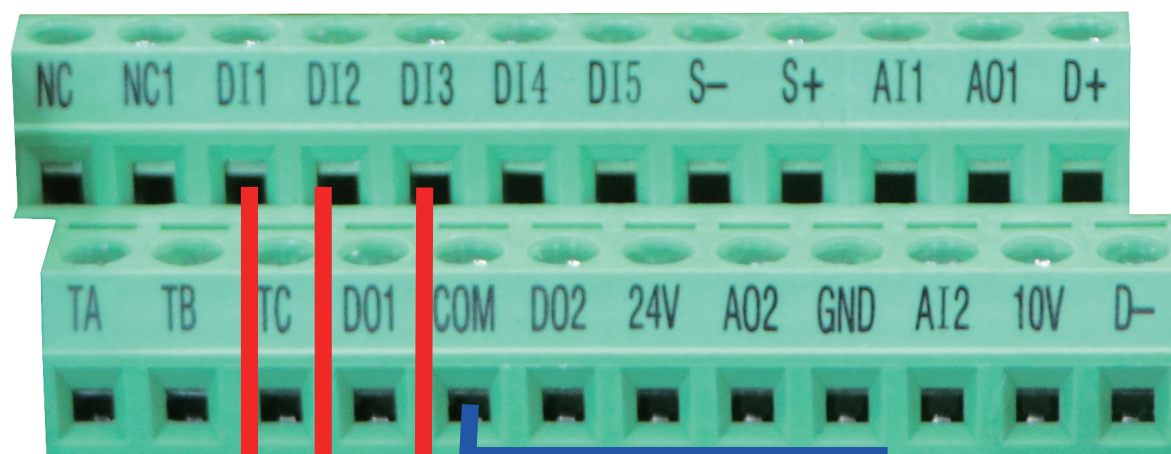
Reverse

Stop

Jog Button (with reset)

13. External Terminal Start Three-wire Control Mode 2

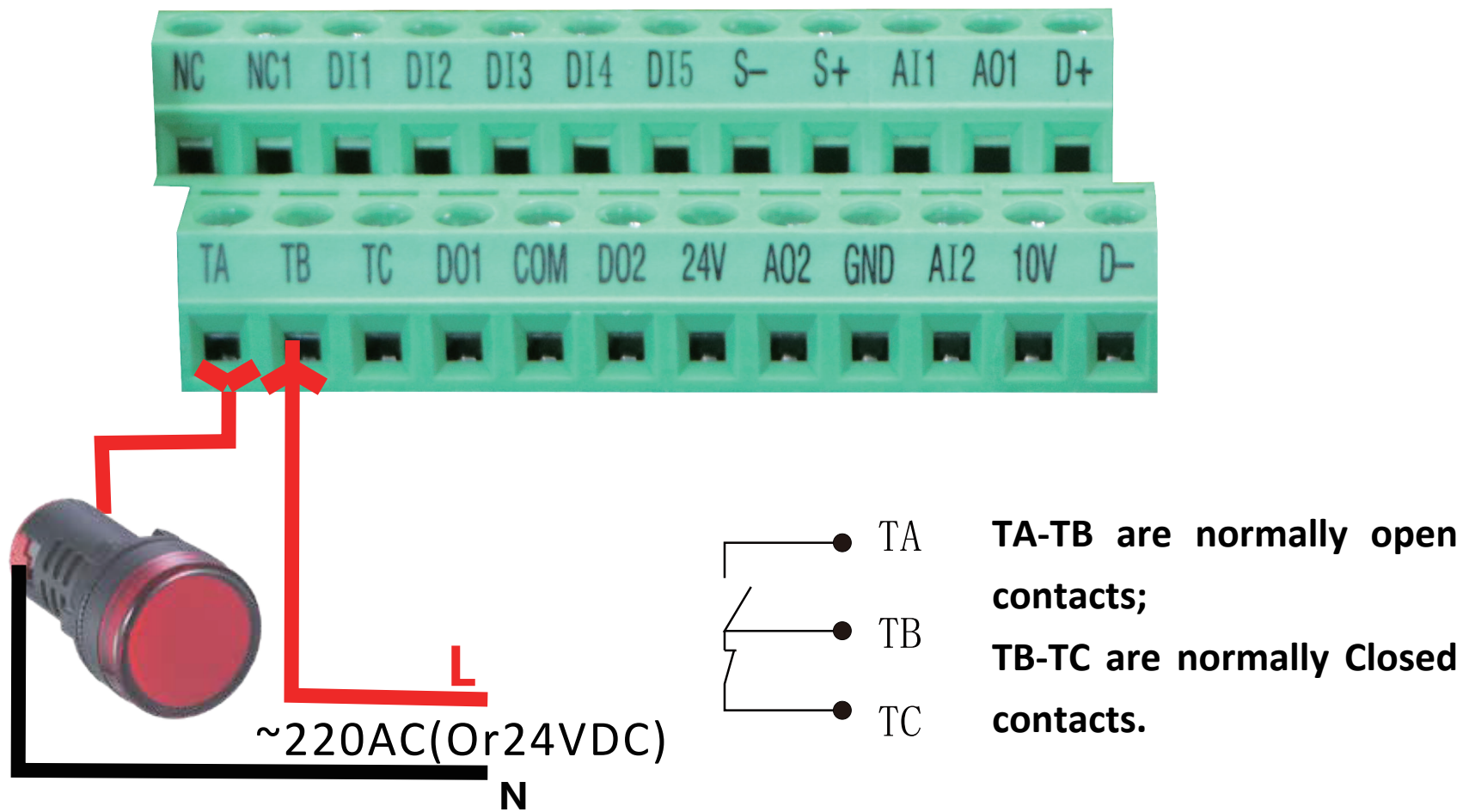
Parameter Settings: Set F0-00 to 1
Set F1-02 to 03
Set F1-06 to 3

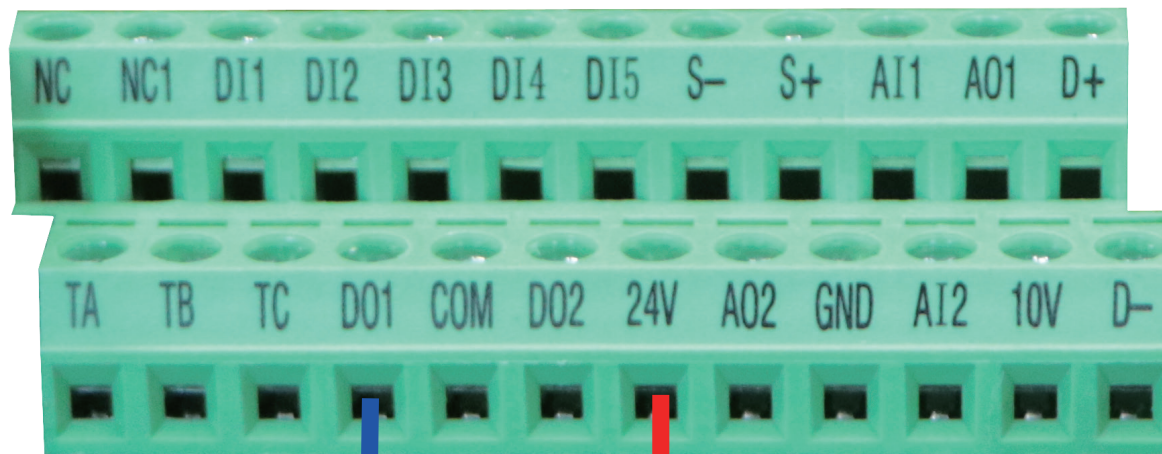


1、 3 : Jog Button (with reset)
2 : Transfer Switch

14. Relay TA TB TC Application (fault output)

Parameter Settings: Set P1-08 to 02





24V DC
Intermediate
Relay



(DO1 Example)

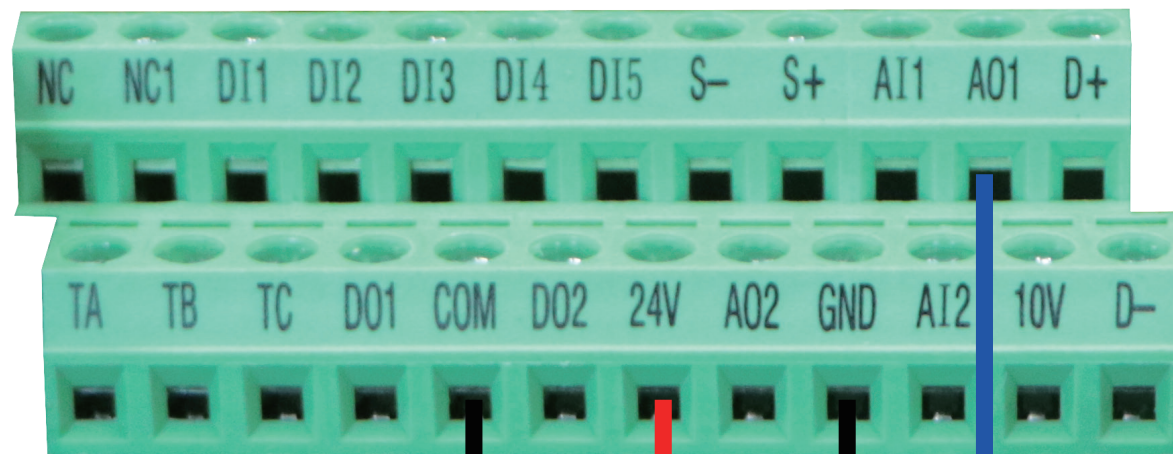
Parameter Settings:
F1-10 Defined by user
F1-11 Defined by user

(Customers can define according to user manual)

Commonly options such as:

1. Inverter running
2. Fault output

AO1 is analog 0-10V or 4-20mA output, the signal output format can be changed in parameter F0-07



Parameter Settings:

The factory default of F1-28 is 0 (running frequency)

(Customers can define according to user manual)

For example: Set the single output format of output current as 4-20mA, then

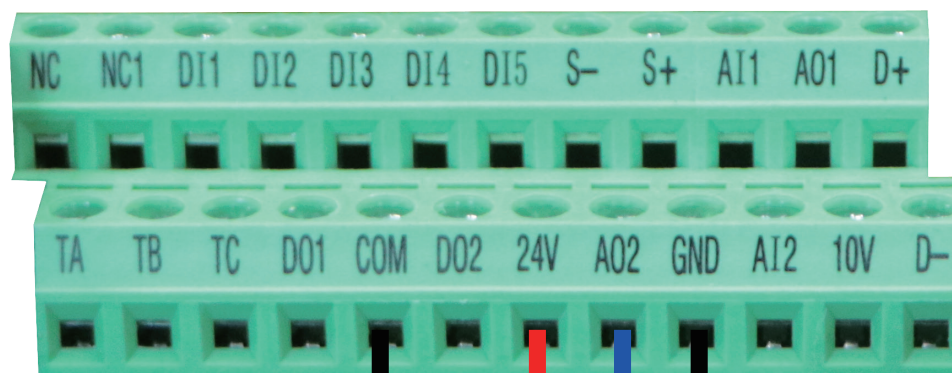
Set F0-07 to 0200

Set F1-28 to 2



AO2 is analog 0-10V or 4-20mA output

Signal output format can be changed in parameter F0-07

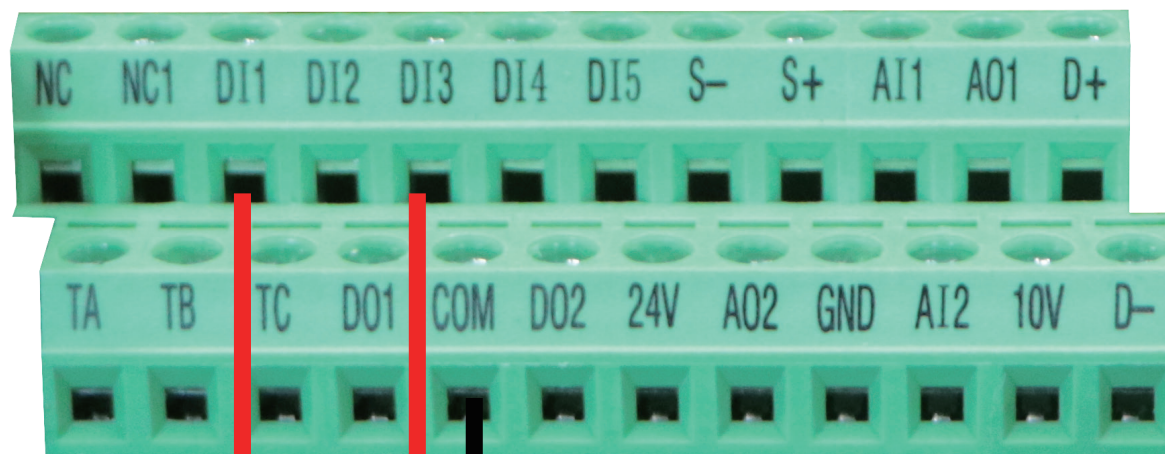


Parameter Settings:

The factory default of F1-28 is 0
(running frequency)
(customers can define it according
to user manual)
For example: Set the single output
format of output current as
4-20mA, then
Set F0-07 to 0000
Set F1-29 to 2



18. External Terminal Forward Run 2 Speeds Setting



Parameter Settings:

Set F0-00 to 1 (terminal control)

Set F0-01 to 4 (Multiple Speeds Command)

Set F1-02 to 8

F4-01 Set the first speed

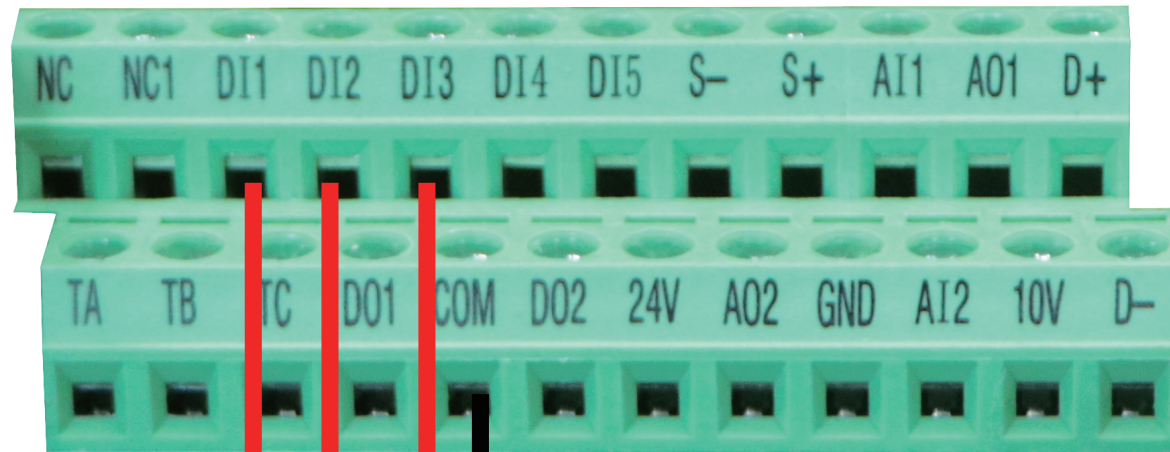
F4-02 Set the second speed
(Set the frequency directly)

K1 K4

K1 close to select the first frequency of forward Run;

K1, K4 close to select the second frequency of forward Run.

19. External terminal forward/ Reverse 2 Speeds Setting



Parameter Settings:

F0-00=1 (terminal control)

F0-01=4 (Multiple Speeds Command)

F1-02=8

F4-01 set the first speed

F4-02 sets the second speed
(Set the frequency directly)

K1 K2 K4

K1 close to select the first frequency of forward run;

K1, K4 closed to select the second frequency of forward run;

K2 close to select the first frequency of reverse run;

K2, K4 close to select the second frequency of reverse run.